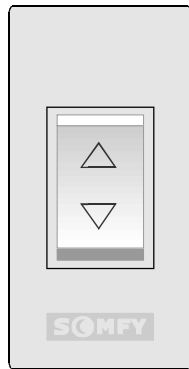




MAINTAINED ROCKER SWITCH
Double Pole - Double Throw - Center Off



INSTALLATION INSTRUCTIONS

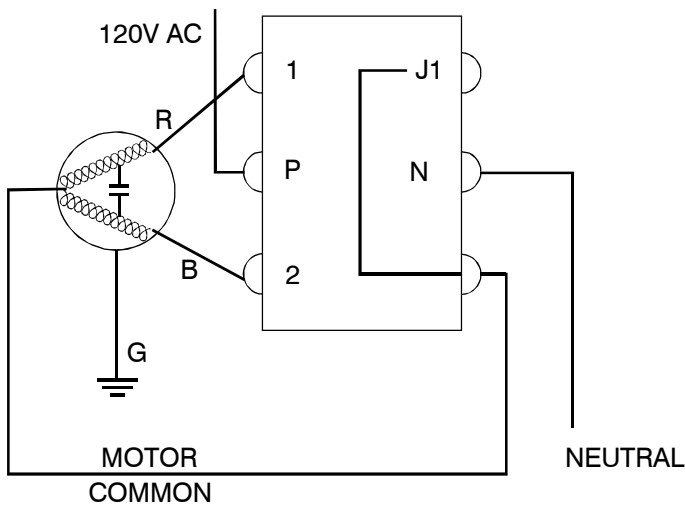
For Cat. No. 6120687

TO BE INSTALLED AND/OR USED IN ACCORDANCE WITH APPROPRIATE ELECTRICAL CODES AND REGULATIONS

TO INSTALL:

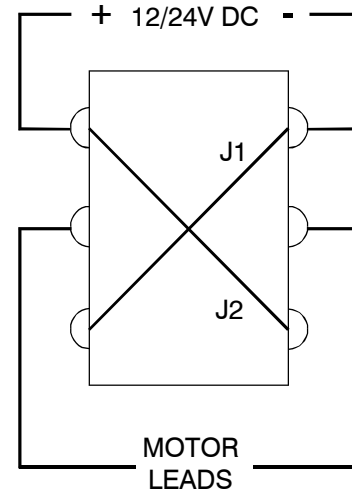
- WARNING:** IN AC INSTALLATIONS TO AVOID FIRE, SHOCK, OR DEATH; TURN OFF POWER AT CIRCUIT BREAKER OR FUSE. TEST THAT POWER IS OFF-BEFORE WIRING! Use this device only with copper or copper clad wire. With aluminum wire use only devices marked CO/ALR.
- Remove insulation from wires, expose 3/4 inch of conductor. Loop wires clockwise 3/4 turn around terminal screws and tighten screws firmly.
- Connect wires per WIRING DIAGRAM.
- Mount device with long mounting screws. Replace wallplate and tighten cover screws.
- Restore power at circuit breaker or fuse. INSTALLATION IS COMPLETE.

SWITCH WIRING
AC INSTALLATION



Back of Switch

SWITCH WIRING
DC INSTALLATION



Back of Switch

MOTOR WIRING:

R - RED	Direction 1
B - BLACK	Direction 2
WHITE	Neutral
G - GREEN	Ground

NOTE: If motor turns in wrong direction, reverse red and black motor leads

SOMFY CANADA
6315 Shawson Drive, Unit #1
Mississauga, Ontario L5T1J2
Phone CN: 1-800-66-SOMFY
CN: (905) 564-6446
Fax: (905) 564-6448



SOMFY SYSTEMS, INC.
47 Commerce Drive
Cranbury, New Jersey 08512
Phone US (sales): 1-800-64-SOMFY
NJ: (609) 395-1300
Fax: (609) 395-1776

SOMFY MEXICO, S.A. De C.B.
Calle 3 No. 47 Loc. E-5
Fracc. Ind. Alce Blanco.
Nau., Edo. de Mex.
C.P. 53370, Mex
Tel. 011 (525) 576-3421
Fax 011 (525) 576-3443