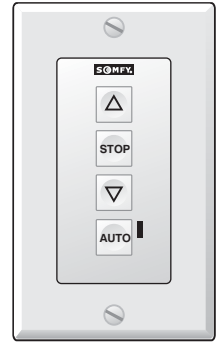


DESCRIPTION

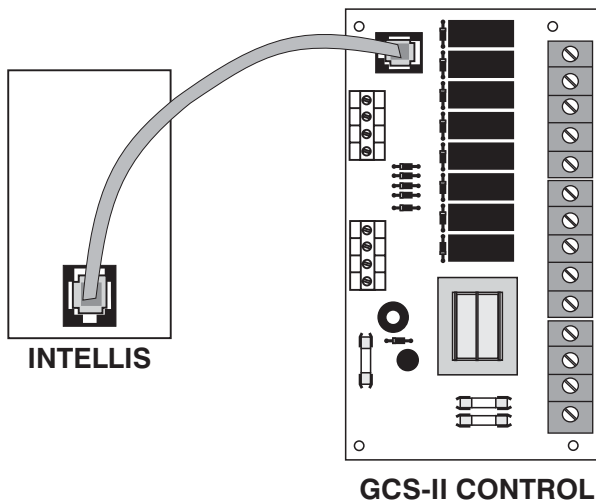
IntelliS is a new easy-to-use timer for SOMFY motors. Each day, IntelliS will automatically raise and lower window treatments at a specified time. Programming is simple, with no confusing displays or rotary dials. With just the push of a button, IntelliS is in control.

IntelliS-IGC
Cat. No: 6300351 (White)
6300352 (Ivory)

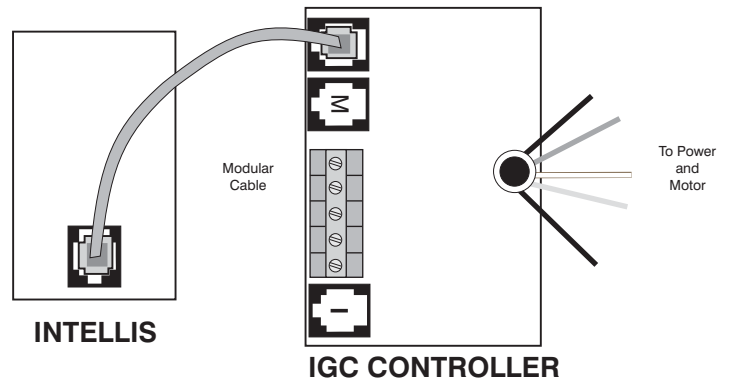
IntelliS-GCS
Cat. No: 6300361 (White)
6300362 (Ivory)



GCS WIRING SCHEMATIC



IGC WIRING SCHEMATIC



OPERATING INSTRUCTIONS

1. Connect the IntelliS to a GCS or IGC as shown above using the appropriate length modular cable. For the IGC models, the IntelliS may be connected to either the Individual or Master ports of the IGC control.
2. When powered up for the very first time, the IntelliS is unprogrammed and will operate as a manual switch. The LED indicator will flash approximately once every second to indicate that the IntelliS is unprogrammed.
3. Pressing the UP button will raise the window treatment, while the DOWN button will lower it when pressed. If a treatment does not move in the correct direction, turn off the circuit breakers and reverse the red and black wires at the corresponding motor.
4. Pressing the STOP button will stop the window treatment in its present position.
5. Once the IntelliS has been programmed, pressing the AUTO button will turn the LED on or off depending on its previous state. Manual mode is designated by the LED being off. If the IntelliS is in manual mode, it will not automatically bring the window treatment UP or DOWN. The programmed times are retained, however.



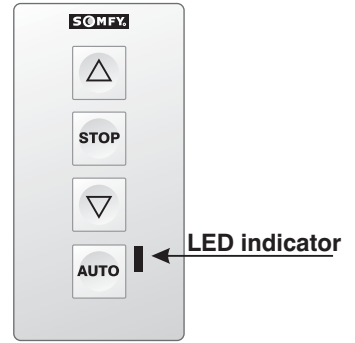
SOMFY SYSTEMS, INC.
47 Commerce Drive
Cranbury, NJ 08512

SOMFY CANADA
6315 Shawson Drive, Unit #1
Mississauga, Ontario L5T1J2

SOMFY MEXICO S.A. De C.V.
Calle 3 No.47, Loc.E-5
Fracc Ind. Alce Blanco
Nau.,Edo. de Mex C.P. 53370,Mex

PROGRAMMING INSTRUCTIONS

1. Press and hold the AUTO button to enter programming mode. The LED indicator will flash slowly to indicate programming mode is active. All programming **MUST** be done at the time of day you wish the automatic function to operate.
2. Once in programming mode, press the AUTO and UP buttons simultaneously to set the UP function. The window treatment will begin to move and the LED will flash quickly to indicate the IntelliS has been programmed. Release the AUTO and UP buttons to complete the program, and the LED will remain steady. Repeat this process using the AUTO and DOWN buttons to program the DOWN function.
3. If this is the first time that the IntelliS has been programmed, a 12 hour default timer is activated after Step 2 is completed. Once the UP direction has been set, it is not necessary to also set the DOWN direction, as it will automatically function 12 hours later. For example, if the UP time is set to activate at 10:00 a.m., the window treatment will automatically lower at 10:00 p.m. The 12 hour default is also active after a power outage.
4. To deprogram a specific direction, press and hold the AUTO button. The LED indicator will flash for 8-10 seconds and then turn off. Once the LED turns off, press the AUTO and one directional buttons simultaneously. The LED will begin to flash quickly to show that direction has been deprogrammed. Release the AUTO and directional buttons and the LED will remain steady. That direction will no longer function automatically until a new time has been set.
NOTE: If both the UP and DOWN directions have been deprogrammed, the LED will flash once every second to indicate that the IntelliS is not programmed.
5. To change the set time of any direction, simply repeat the directions in Steps 1 and 2. Keep in mind that the 12 hour default will not be available, so both directions must be programmed.
6. If the power goes off for more than 30 seconds, the IntelliS will need to be reprogrammed. Within that time frame, all set functions will be retained.



MOUNTING

A bracket is included with the IntelliS for mounting next to an existing recessed electrical switch box or for stand-alone use. Follow the steps below to secure the bracket to the wall. If this mounting method is not desirable, the IntelliS can be mounted in a standard single gang electrical box.

<p>1. Rotate the IntelliS bracket face down (tabs facing up), <u>keeping the thin side closest to the existing electrical switch box.</u></p>	<p>2. Align the inside edge of the thin side on the IntelliS bracket with the outside edge of the switch box. Then trace the inside shape (as shown by the dashed line in the diagram) of the IntelliS bracket.</p>	<p>3. Cut traced opening into drywall. Be careful not to make the opening larger than necessary, to ensure a tight fit.</p>
<p>4. Insert bracket into hole, keeping the thin side closest to the existing switch box, and laying flat on drywall.</p>	<p>5. To keep the bracket in place, bend tabs 90° around drywall.</p>	<p>6. Mount low voltage IntelliS switch into bracket, with its edge flush against electrical switch box.</p>