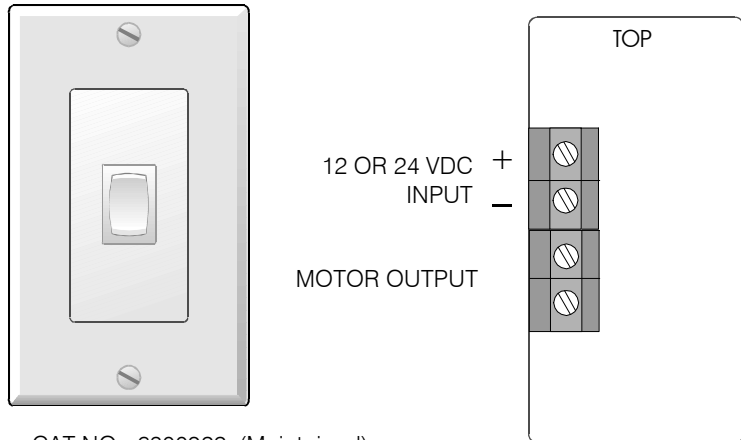




# DECORATOR DC SWITCH

## Installation and Operation Instructions

### SINGLE DC SWITCH WIRING

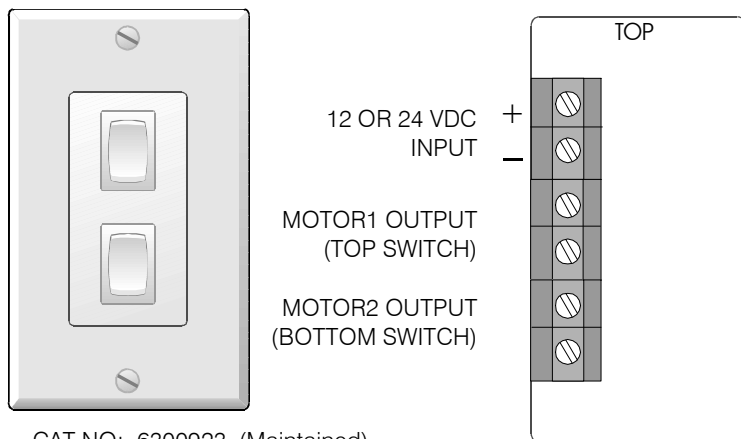


CAT NO: 6300922 (Maintained)  
6300967 (Momentary)

The Decorator DC switches are SPDT, center off, maintained or momentary switches. They can be used with DC motors, models LT28, LV35 and V26.

Pressing the switch in the UP or DOWN direction will move the motor appropriately. If the motor directions are not correct, reverse the motor wires at the terminal block.

### DOUBLE DC SWITCH WIRING

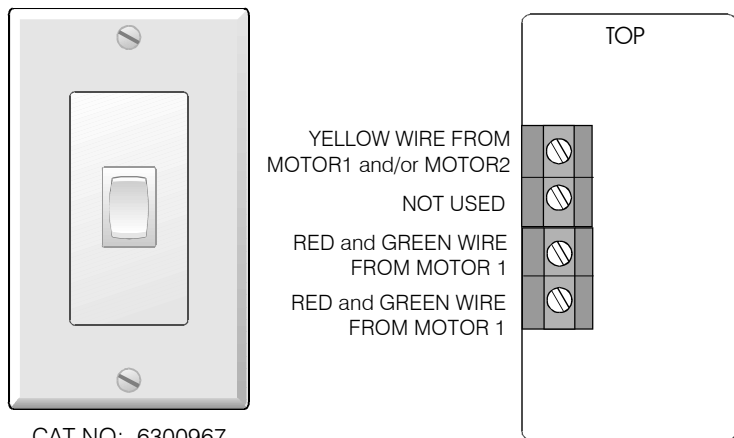


CAT NO: 6300923 (Maintained)  
6300968 (Momentary)

If momentary switches are used, the motor will move as long as the switch is pressed, and stop when released. Pressing and releasing a maintained switch will move the motor until the switch is returned to the center position..

Both Double and Single DC switches mount in a single gang box.

### DC SWITCH WIRING FOR DRAPERY MOTORS



CAT NO: 6300967

This switch is intended for use with either 1 or 2 DR1000 Drapery Motors. The UP direction operates Motor1 and the DOWN direction operates Motor2. Each switch press will sequence the motor through open, stop, close, stop. To operate more than one DR1000 as a group, please contact Somfy Systems customer service.

Modular cable, part number 6020367, must be used with this switch. The Drapery switch will mount in a single gang electrical box.