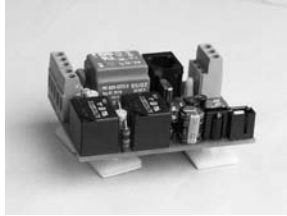




HEADRAIL RADIO REMOTE CONTROL (HRC-RF)

Installation and Operating Instructions

DESCRIPTION



SOMFY'S Headrail Radio Remote Control (**Catalog Number 6300982**) is specially designed to mount inside an industry standard 2"x2" headrail. It is capable of both lift and tilt functions for a variety of interior window treatment applications. Remote control is possible through the use of SOMFY's Telis1 or Telis4 transmitters. In addition, a low voltage switch can be connected that will control the window treatment with a push of a button.

INSTALLATION AND OPERATION

System Set Up

1. With power off, wire power and motor to the terminal blocks (TB2 & TB3) on the HRC-RF as indicated below. Turn all circuit breakers on (motors should not move).
2. Clear the HRC memory by pressing the Memory Clear button on the control board. The motor will respond by moving the window treatment.
3. Press and release the programming button on the Telis1 or Telis4 transmitter to enter programming mode. The motor will respond by moving the window treatment. Press and release the programming button once more, making sure the desired channel is selected on the Telis4 first. The motor will again respond by moving the treatment. The transmitter is now stored into memory.
4. Operate the motor in the DOWN direction using the Telis transmitter.
5. The motorized treatment should move down or out. If this is incorrect, turn off the circuit breakers and reverse the red and black wires of the motor.

Operating Procedures

TRANSMITTER

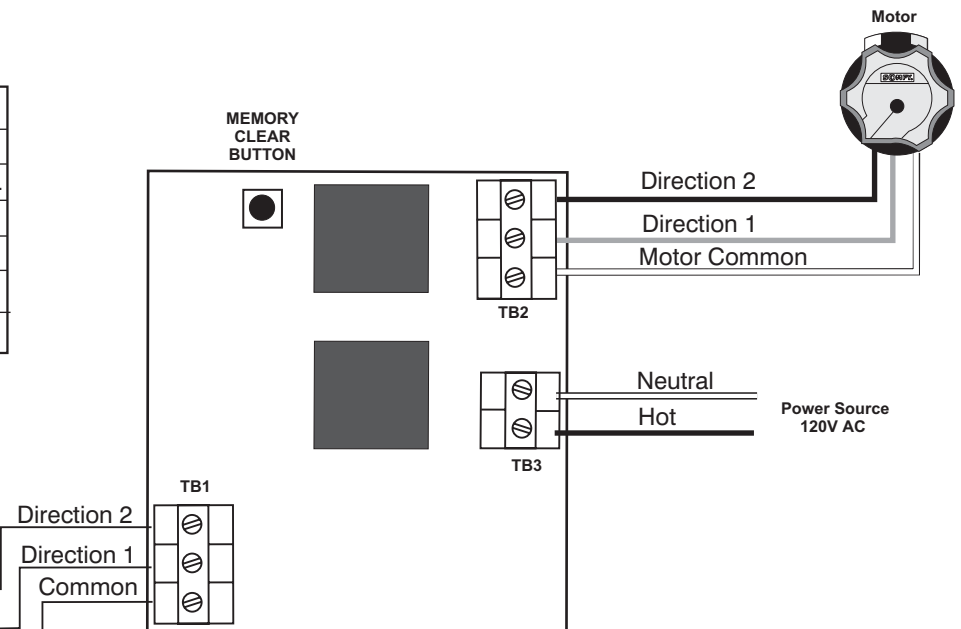
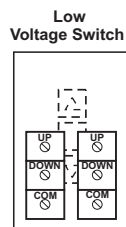
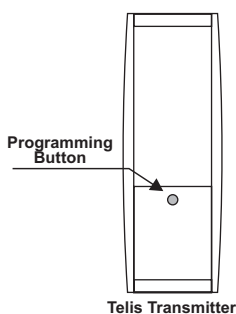
1. Pressing the UP button on the Telis transmitter will move the window treatment up or in. The DOWN button will move the treatment down or out.
2. To stop the motorized treatment at any time, press the CENTER button on the transmitter.
3. To activate tilt mode, briefly press and release the CENTER button once the window treatment has already stopped. Press and hold the UP or DOWN buttons until the desired tilt angle is reached. For more accurate tilt increments, press and release the UP or DOWN button several times. Press and release the CENTER button to deactivate tilt mode. Otherwise, the HRC will automatically return to normal operation 30 seconds after the last button is pressed.

LOW VOLTAGE SWITCH

4. If desired, an optional low voltage switch (SOMFY part number 6300040) can be connected to terminal TB1 on the HRC-RF as shown below. Pressing the UP or DOWN buttons on the switch will move the window treatment in the appropriate direction. To activate the tilt function, press and hold the UP or DOWN button until the desired angle is reached.

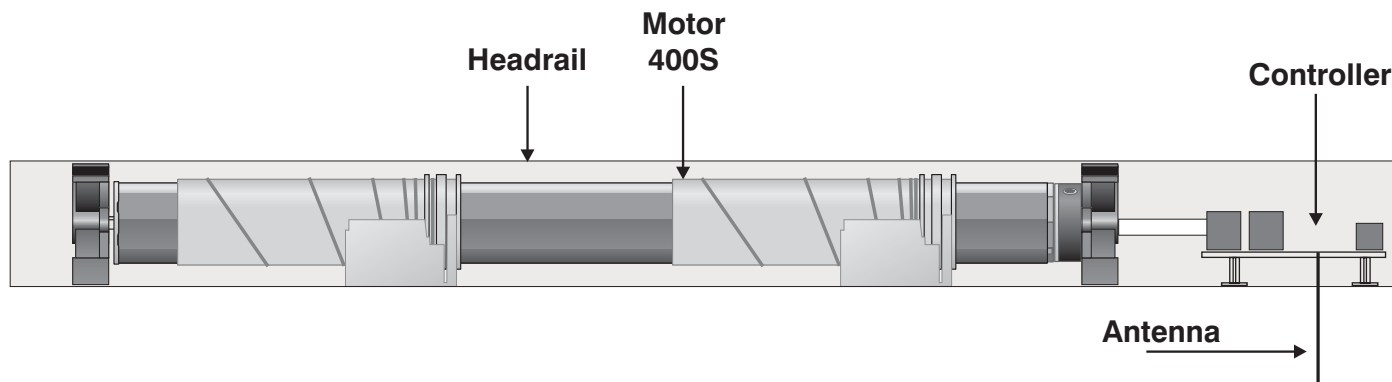
WIRING DIAGRAM

POWER	MOTOR	TB2	TB3
BLACK			HOT
WHITE			NEUTRAL
	WHITE	MOTOR COMMON	
GREEN	GREEN		
	RED	DIRECTION1	
	BLACK	DIRECTION2	



MOUNTING

1. The Headrail Control must be mounted inside the headrail using the standoffs attached. Simply remove the protective tape covering and place in the Headrail.
2. The high voltage connections must be located closest to the motor head for ease of wiring.
3. The antenna must extend from the headrail as shown. If necessary, a hole should be made for this purpose. Ensure that the antenna is not crimped or pinched against the headrail, and it does not run parallel to the power cable.



PROGRAMMING PROCEDURES

GENERAL NOTES

- * All programming must be done with the transmitter placed as close as possible to the HRC-RF. If more than one control is to be programmed, it is recommended that power be applied to only the control being programmed.
- * The HRC-RF can store up to 4 transmitters/channels. If an attempt is made to program an additional transmitter, the motor will respond by moving, but the transmitter will not be stored.
- * A previously stored transmitter (base transmitter) must be used to program additional transmitters into the memory of the HRC-RF.
- * A minimum of one transmitter will always remain in the memory of the HRC-RF. Pressing the Memory Clear button on the HRC-RF will delete all transmitters from memory.
- * When programming mode is active, the HRC-RF cannot be operated until programming mode is deactivated. Deactivation occurs automatically after a transmitter is programmed or after 30 seconds if no transmitter is memorized.
- * The HRC-RF will not enter programming mode if tilt mode is activated.

PROGRAMMING ADDITIONAL TRANSMITTERS INTO MEMORY

- Press and release the programming button on a transmitter that is already memorized by the HRC-RF to enter programming mode. The motor will begin to move UP and DOWN. Press and release the programming button on the new transmitter (For Telis4, ensure desired channel is selected first), the motor will again begin to move UP and DOWN. The transmitter is now memorized.

DELETING A TRANSMITTER FROM MEMORY

- Press and release the programming button on a transmitter (other than the one to be deleted) already memorized by the HRC-RF. The motor will begin to move UP and DOWN. Press and release the programming button on the transmitter to be deleted, the motor will begin to move. That transmitter will no longer activate the HRC-RF.

DELETING ALL TRANSMITTERS FROM MEMORY

- Press the Memory Clear button on the HRC-RF. This removes ALL memorized transmitters.

SOMFY MEXICO, S.A. De C.V.

Calle 3 No. 47, Loc. E-5
Fracc Ind. Alce Blanco
Nau., Edo. de Mex
C.P. 53370

SOMFY SYSTEMS, INC.

47 Commerce Drive
Cranbury, NJ 08512

SOMFY CANADA

6315 Shawson Drive, Unit #1
Mississauga, Ontario L5T1J2