

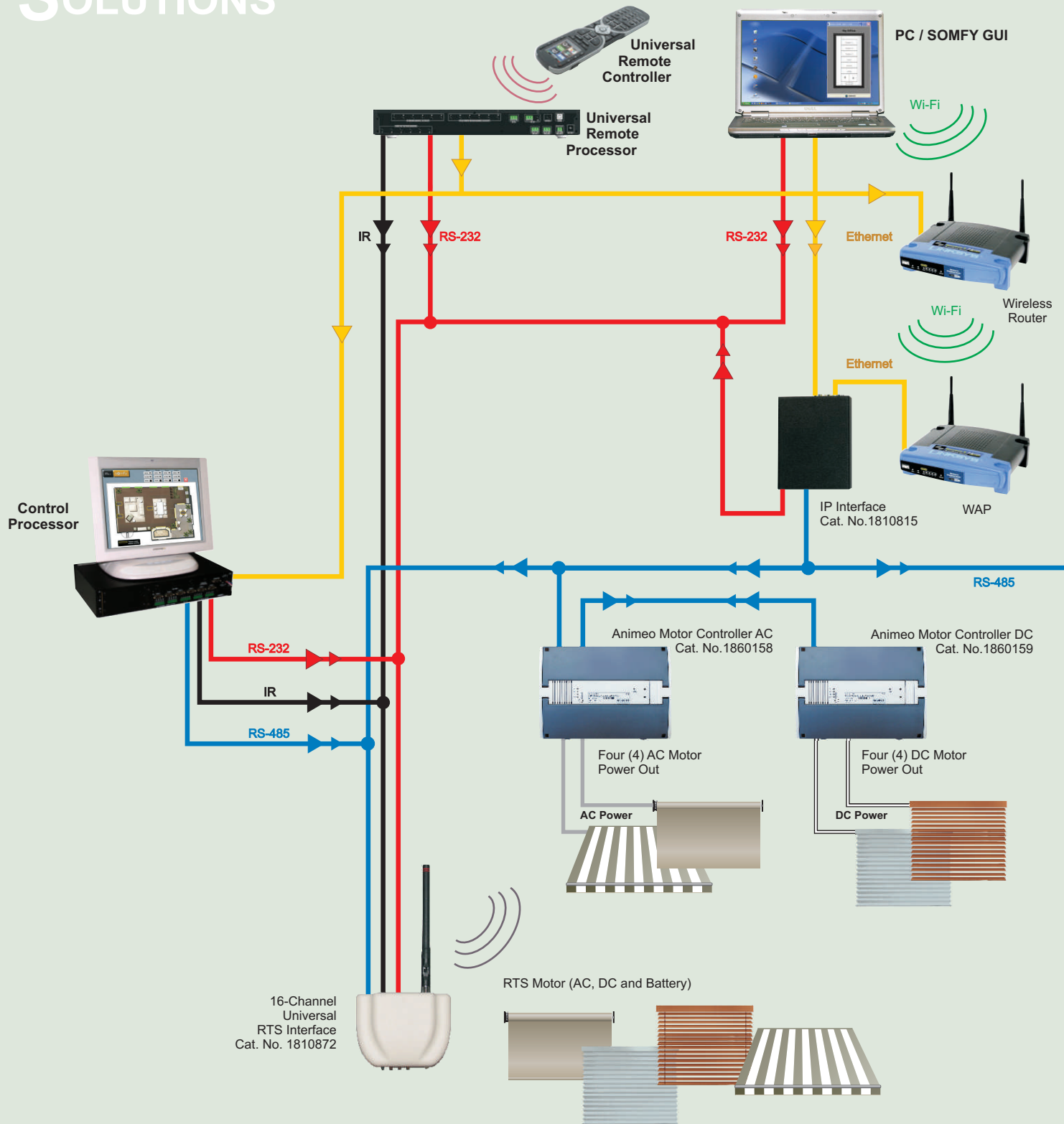


DIGITAL WINDOW COVERING SOLUTIONS

POWERED BY SOMFY



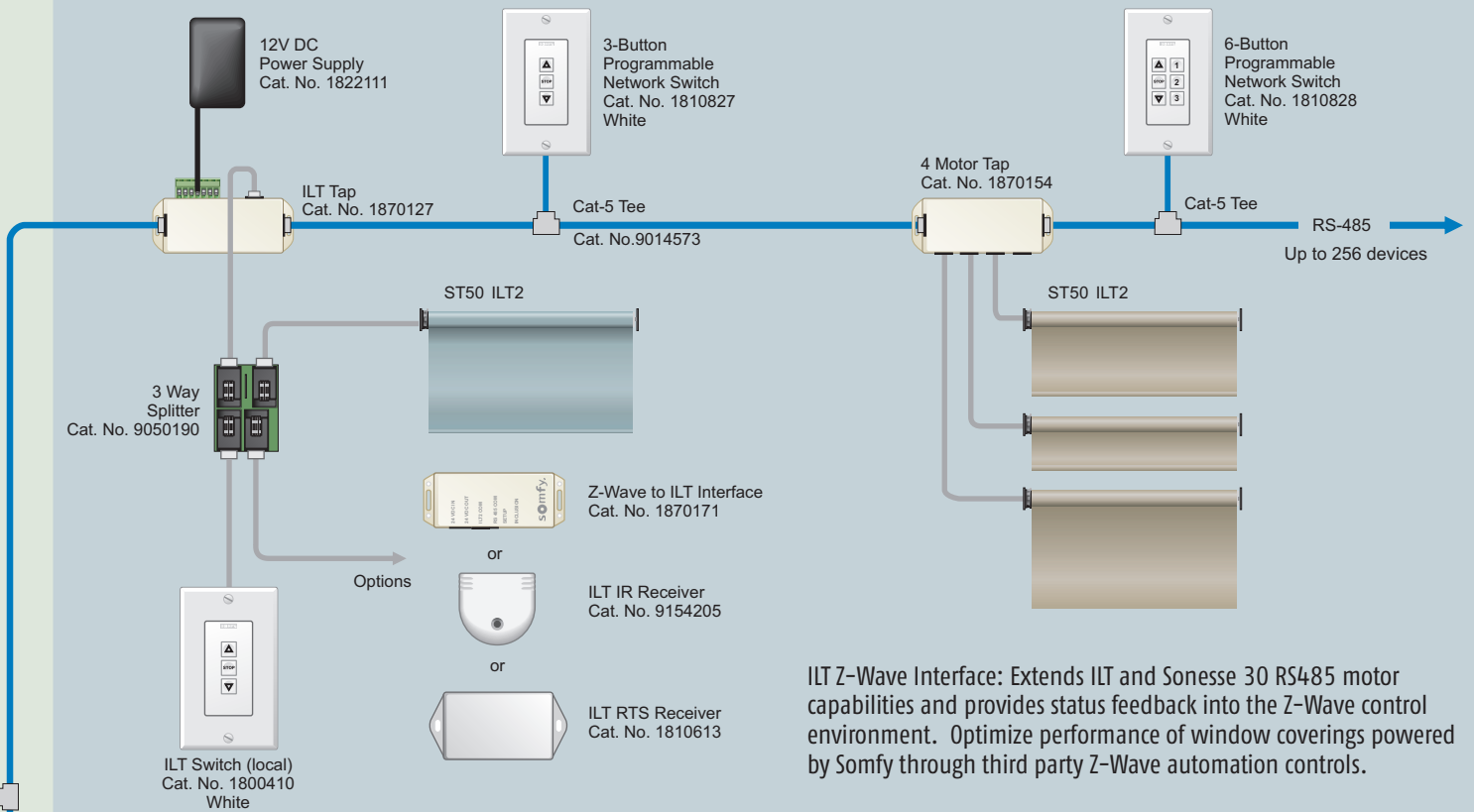
DIGITAL WINDOW COVERING SOLUTIONS



Somfy Connectivity Network: Digital window covering solutions powered by Somfy are compatible with virtually all brands of home control systems.

Sonesse 50 ILT (AC)

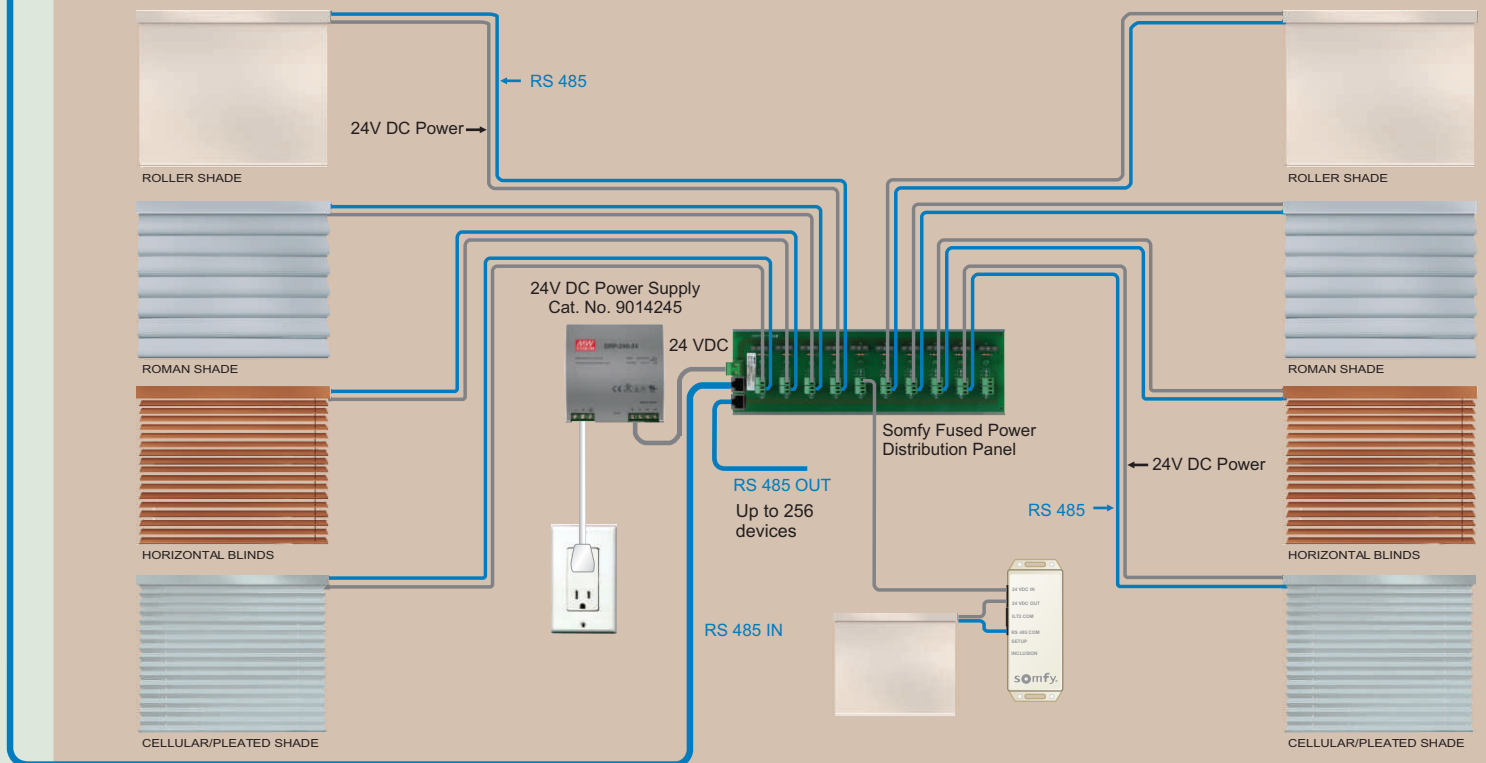
High voltage, quiet motor with communication via industry standard RS485 network. Unique network address for selective control of individual motors. Individual or group control with 16 customizable pre-set positions per window covering.



ILT Z-Wave Interface: Extends ILT and Sonesse 30 RS485 motor capabilities and provides status feedback into the Z-Wave control environment. Optimize performance of window coverings powered by Somfy through third party Z-Wave automation controls.

Sonesse 30 RS-485 (DC)

Low voltage, quiet motor with bi-directional serial communication via built in RS485. Ability to program each window covering to 16 intermediate positions.





CUSTOM ELECTRONIC DESIGN & INSTALLATION ASSOCIATION



Continental Automated Buildings Association



Wireless Control That Simply Works



For more information or to learn about becoming a Somfy Systems Integration Expert for motorized window coverings, contact Somfy at 1-877-43SOMFY or visit www.somfysystems.com/htiregform

SOMFY SYSTEMS INC

121 Herrod Blvd.
Dayton, NJ 08810
Phone: US: 1-800-22-SOMFY
NJ: (609) 395-1300
Fax: Sales (609) 495-8118

FLORIDA

6100 Broken Sound Pkwy. N.W., Suite 14
Boca Raton, FL 33487
Phone: (877) 227-6639
Fax: (561) 995-7502

CALIFORNIA

15291 Barranca Parkway
Irvine, CA 92618-2201
Phone: (877) 727-6639
Fax: (949) 727-3775

SOMFY ULC

SOMFY Canada Division
6315 Shawson Drive, Unit #1
Mississauga, Ontario L5T1J2
Phone: CN: 1-800-66-SOMFY
CN: (905) 564-6446
Fax: (905) 564-6448



www.somfysystems.com

© Copyright SOMFY SYSTEMS, INC. 9/09