



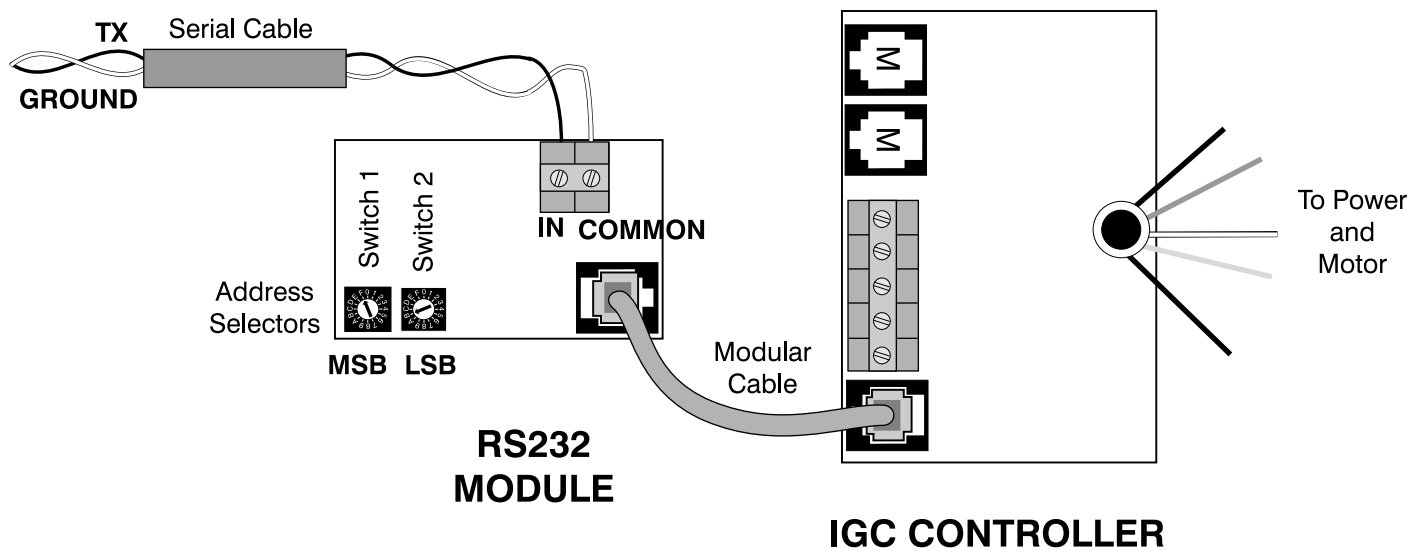
RS232 INTERFACE MODULE

PRELIMINARY Installation and Operation Instructions

DESCRIPTION

The SOMFY RS232 interface module translates RS232 protocol for use with Somfy controls. This unit can connect to any PC, home automation or lighting system. Each addressable device connects to one Somfy control such as an IGC or MCIR. The RS232 interface makes it easier to control window treatments by computer.

CONNECTION DIAGRAM



OPERATING INSTRUCTIONS

1. Set the desired hexadecimal address using the rotary switches. For example;

Decimal address 6:	Set switch 1 to 0, switch 2 to 6	(Hex address 6)
Decimal address 37:	Set switch 1 to 2, switch 2 to 5	(Hex address 25)
Decimal address 168:	Set switch 1 to A, switch 2 to 8	(Hex address A8)

2. Connect the serial cable from the PC or home automation system to the terminal block as shown above.
3. Connect the interface module to a Somfy controller (IGC shown above) using modular cable. In IGC applications, the connection can be made in either the Master or Individual ports (individual shown).

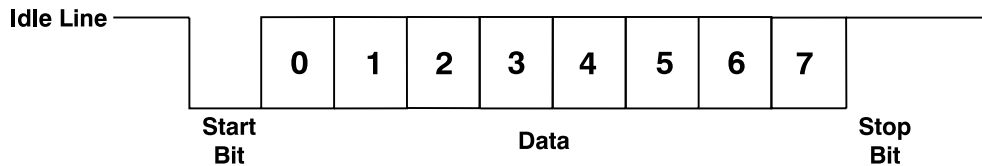
INTRODUCTION

The Somfy Computer Interface translates asynchronous serial communication (RS232) protocol for use with Somfy controls. The Interface uses the following communications settings:

9600 Baud
8 Data Bits
1 Stop Bit
No Parity.

The data format is shown below and must meet the following criteria:

1. The idle line should remain high prior to transmission of data.
2. A low level start bit is used to indicate the beginning of the data frame.
3. The data should be transmitted least significant bit first.
4. A high level stop bit is used to indicate the end of the data frame.



PROTOCOL

The host initiates a transmission by first sending eight bit address data followed by command data.

ADDRESS: An eight bit binary number from 1 to 255, with 0 reserved for Master commands.

Example: Unit address 4 would have binary address 0000 0100.

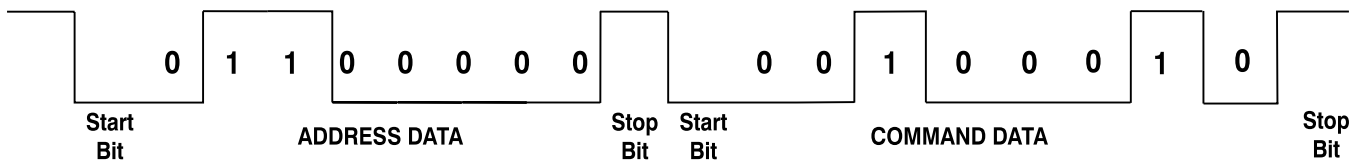
COMMAND: Eight bit binary digit representing directional commands:

UP: 0101 0101 (ASCII 'U')

STOP: 0101 0011 (ASCII 'S')

DOWN: 0100 0100 (ASCII 'D')

EXAMPLE: To move shade number 6 down, the computer should transmit the following data::



SOMFY SYSTEMS, INC.
47 Commerce Drive
Cranbury, NJ 08512

SOMFY CANADA
6315 Shawson Drive, Unit #1
Mississauga, Ontario L5T1J2

SOMFY MEXICO S.A. De C.V.
Calle 3 No.47, Loc.E-5
Fracc Ind. Alce Blanco
Nau., Edo. de Mex C.P. 53370, Mex