

IRS 300

INFRARED CONTROL FOR DC MOTORS

DESCRIPTION

The IRS 300 provides infrared control for SOMFY's Concept 25 and LT28 motors. It is an addressable, multichannel receiver/control with lift and tilt capabilities. In addition, the IRS 300 provides inputs for both individual and master switches. Each individual IRS 300 can operate up to 3 motors as a group, depending on transformer rating.



MECHANICAL SPECIFICATIONS

Overall Dimensions: L: 2 in. W: 3 in. D: 1 ¼ in.

Typical Range (Optimal Conditions): 20 ft.

ELECTRICAL SPECIFICATIONS

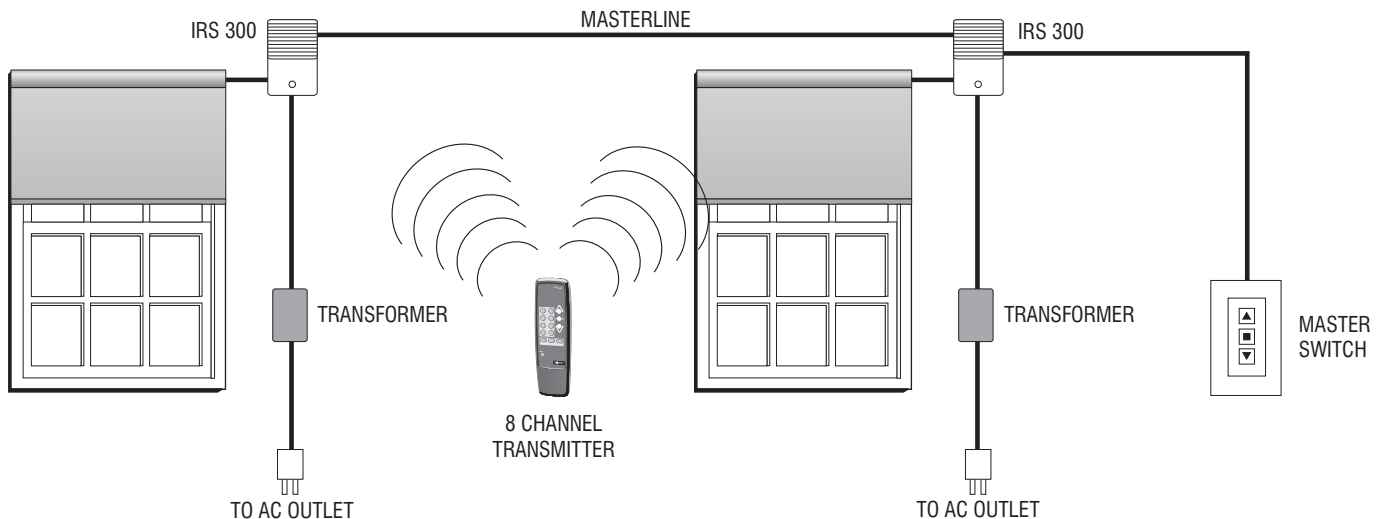
Voltage Rating: INPUT: 24 VDC
OUTPUT: 24 VDC, 750mA per motor

Approvals: Complies with the National Electrical Code (NEC) Standard
CE approved

RECOMMENDED TRANSFORMERS

MOTOR TYPE	1 MOTOR	2 MOTOR	3 MOTOR
LT28A	5700088	5700091	5700091
LT28B	5700095	5700093	5700093
LV25-B44	5700095	5700093	5700096
LV25-B64	5700095	5700093	5700096
LW25-B83	5700093	5700096	5700096
LT28-H2	5700093	5700096	5700098

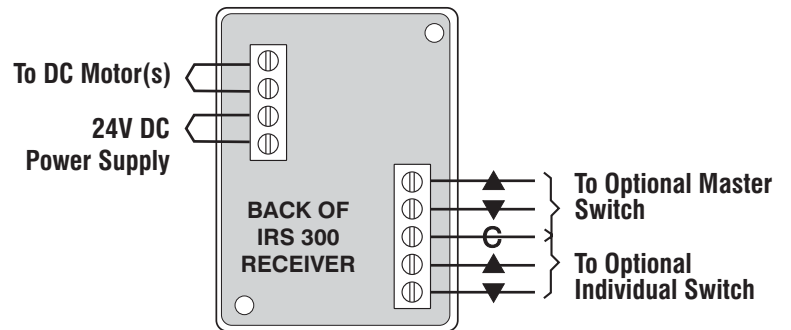
TYPICAL APPLICATION



HOME AUTOMATION INTERFACE

The screw terminals on the IRS 300 can be used for interfacing to home automation or other third party systems. To activate a Master Up command, a momentary dry contact (relay) closure is required between the Master Up (▲) input and Common (C). This contact should remain closed for less than 0.5 seconds to raise or lower a shade, or more than 0.5 seconds to tilt a horizontal blind. Similarly, to activate a Master Down command, a contact closure is required between the Master Down (▼) and Common terminals. To activate a STOP command, a contact closure is required between the Master Up, Master Down and Common terminals.

Follow the above timing requirements for the individual input.



PROGRAMMING INSTRUCTIONS

For greater details, please refer to product instructions

SETTING INDIVIDUAL ADDRESSES

- Press and hold the PROGRAM button on the IRT803 Transmitter for at least 5 seconds to enter programming mode. The window covering will respond by moving briefly.
- Press the "1" button on the transmitter, the motor will stop moving. Press the numeric key corresponding to the desired individual address, the control will respond by briefly moving the window covering.
- Proceed with another setting or press the PROGRAM button to exit.

SETTING THE TILT SPEED

- If not already in programming mode, enter programming mode as described above.
- Press the "5" button on the transmitter, the motorized blind will begin to tilt.
- Increase the speed by pressing the UP button on the transmitter, or decrease the speed by pressing the DOWN button.
- Press the "5-8" button on the transmitter to confirm tilt setting, the window covering will begin to move briefly.
- Proceed with another setting or exit programming mode

CANCELLING THE TILT FUNCTION

- Enter programming mode, if not already. Press the "2" key, then the "1" key on the transmitter.
- Press the PROGRAM button to exit.